

M-3iA/12H (Hollow wrist)



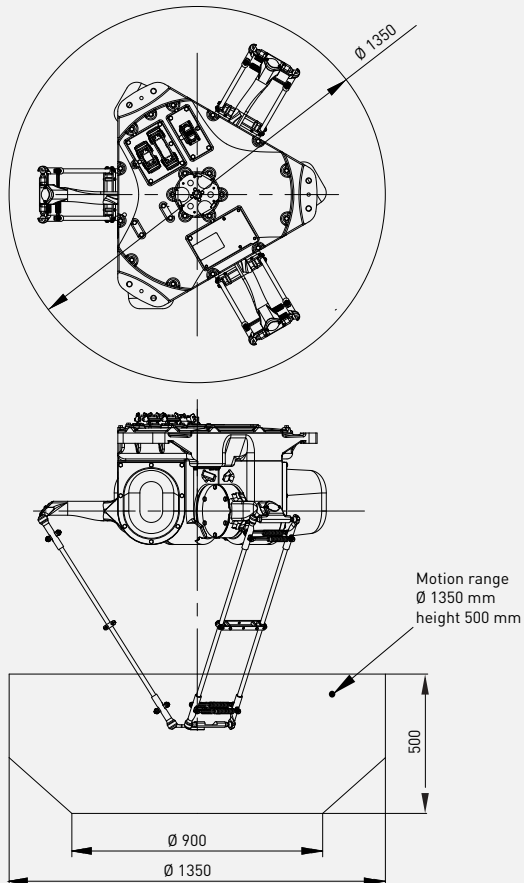
Max. load capacity
at wrist: **12 kg**



Max. reach:
1350 mm

Controlled axes	Repeatability (mm)	Mechanical weight (kg)	Motion range (°)							Maximum speed (°/s)							J4 Moment/ Inertia (Nm/kgm ²)	J5 Moment/ Inertia (Nm/kgm ²)	J6 Moment/ Inertia (Nm/kgm ²)
			J1	J2	J3	J4	J5	J6	E1	J1	J2	J3	J4	J5	J6	E1			
3	± 0.1	155	∅ 1350 x 500 *3			-	-	-	-	-	-	-	-	-	-	-	-	*4	

Working range



Robot

	M-3iA/12H
Robot footprint [mm]	∅ 860
Mounting position Floor	-
Mounting position Upside down	●
Mounting position Angle	-



Controller

	R-30iB Plus
Open air cabinet	●
Mate cabinet	○
A-cabinet	○
B-cabinet	-
iPendant Touch	●

Electrical connections

Voltage 50/60Hz 3phase [V]	200-230 *6
Voltage 50/60Hz 1phase [V]	-
Average power consumption [kW]	2.5

Integrated services

Integrated signals on upper arm In/Out	8/8
Integrated air supply	-

Environment

Acoustic noise level [dB]	79.2
Ambient temperature [° C]	0-45

Protection

Body standard/optional	IP67
Wrist & J3 arm standard/optional	IP67

*3) ∅ in mm by height in mm *4) refer to the wrist load diagramm *6) transformer required
 ● standard ○ on request - not available () with hardware and/or software option